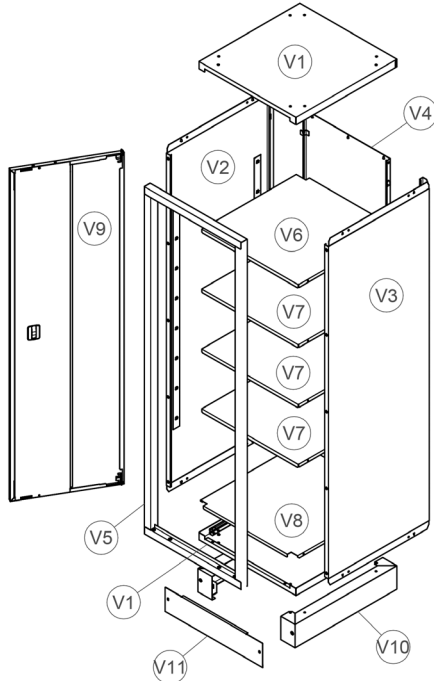


### PARTS LIST



ITEM	DESCRIPTION	QTY.
V1	Top Panel	2
V2	Left Side Panel	1
V3	Right Side Panel	1
V4	Back Panel	1
V5	Door Frame	1
V6	Adjustable Shelf with Clothes Stick	1
V7	Adjustable Shelf	3
V8	Bottom Shelf	1
V9	Door	1
V10	Base Side Part	2
V11	Frontal Adjustable Panel	1

### HARDWARE CONTENTS

NO.	DESCRIPTION	QTY.
A	Screws ST6×12	22+2
B	Bolts M8×16	2
C	Adjustable Feet	4



A

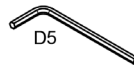


B



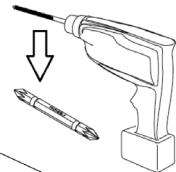
C

### RECOMMENDED TOOLS FOR INSTALLATION



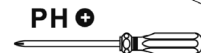
D5

FOR B



OR

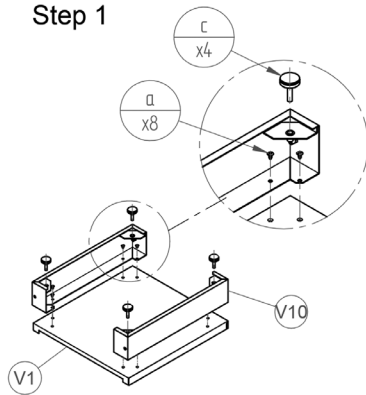
FOR A



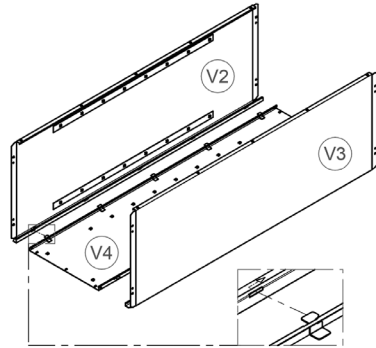
PH+



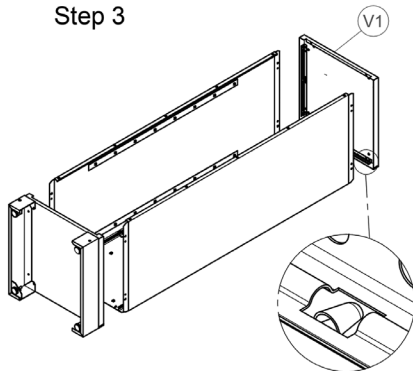
Step 1



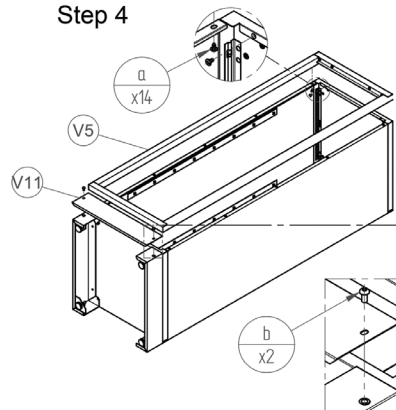
Step 2



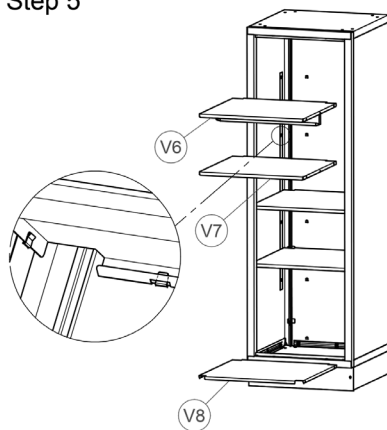
Step 3



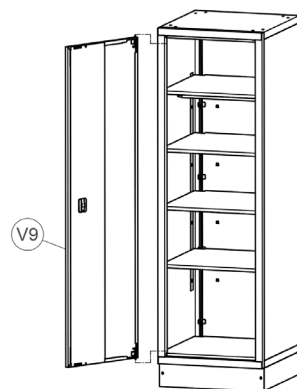
Step 4



Step 5



Step 6



**BETA UTENSILI S.p.A.**

via Alessandro Volta, 18 - 20845 Sovico (MB) ITALY - Tel. +39 039.2077.1 - Fax +39 039.2010742

[www.beta-tools.com](http://www.beta-tools.com)

