

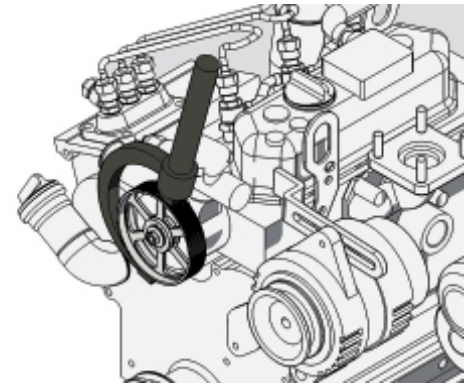
1485BP


Half-moon tool for locking toothed pulleys

Can be adjusted through swivel handle, tightens and locks pulley from outside, preventing neighbouring sensors from getting damaged

1,4 kg

All-purpose



	art.	A Max mm	
014850000	1485BP	130	1,4