
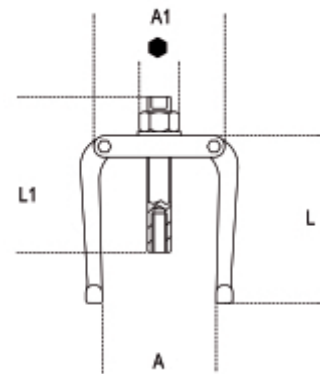


1542/1 - 1542/2 two-leg pullers for extractors

- A threaded hole in pulling screw allows connection with extractors item 1544.
- For pulling operations, lock screw and turn nut.

	Art.	A min÷Max	L mm	L1 mm	● mm	A1 mm	1544	⚖ g
015420001	1542/1	35÷75	140	140	24	105	0÷7	645
015420002	1542/2	60÷130	175	160	36	160	9C-10C	1646



Scan the QR Code to access the web tab
 Specs, media and documentation in one click.

