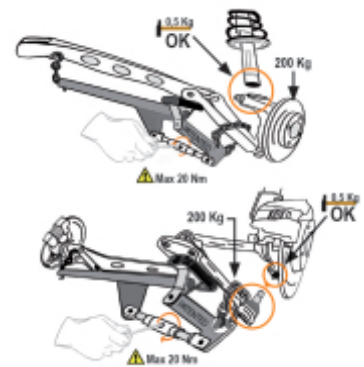


1567
Lever for removing wishbone heads and shock absorbers from pillar

One operator can position lever effortlessly and proceed with disassembly.

It is enough to apply a force of 20 Nm.



	art.	A mm	B min+Max mm
015670001	1567	1060	100÷300

