
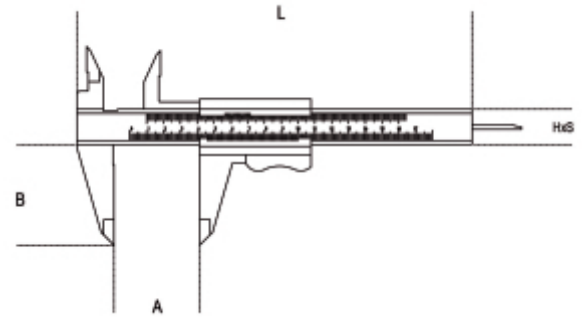


UNI EN ISO 13385-1DIN

- Reading to 0.02 mm
- Screw slider locking
- Adjustment through micrometer screw

	Art.	A max mm	L mm	B mm	G mm	HxS mm	Wt g
016540020	1654 200	200	330	65	0,02	20x4	370
016540030	1654 300	300	410	100	0,02	20x4	410



Scan the QR Code to access the web tab
 Specs, media and documentation in one click.

