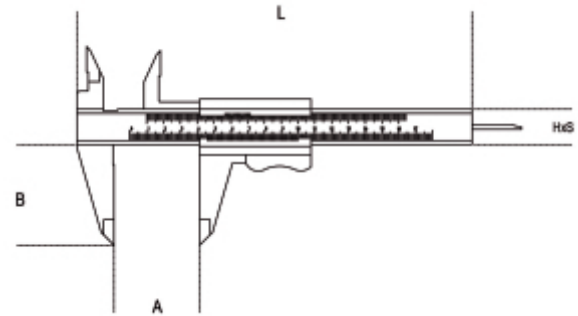


1656
depth gauge, reading to 0.02 mm
UNI EN ISO 13385-2DIN

- Reading to 0.02 mm
- Screw slider locking



art.	A max mm	L mm	B mm	G mm	HxS mm	g	
016560020	1656 200	200	260	80	0,02	10x3,5	130
016560030	1656 300	300	360	80	0,02	10x3,5	155