
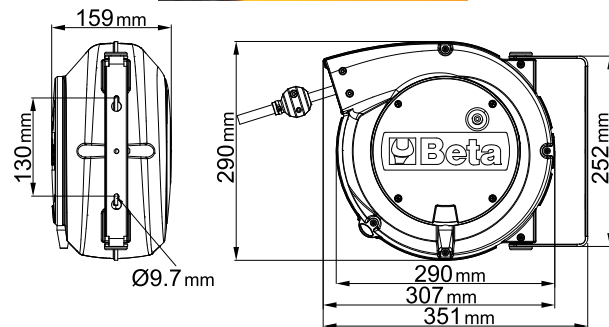
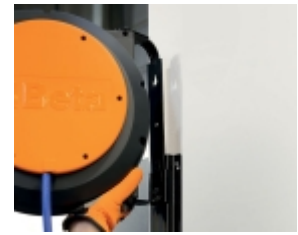


CE IP42

Features:

- With 230/12V safety transformer
- H05VV-F 2x1.0 mm² cable
- Coiled cable length: 15 m
- 1.5 m incoming cable with SCHUKO type socket
- Length of cable out of drum: 1 m
- Rack mechanism can be disabled to keep cable pulled
- Supplied with a 180° swivel bracket and an additional quick connection bracket

|  | Art. | Cavo | L m | Scocca |
|---|-----------------|---------|--------|--------|
| 018420821 | 1842 15-H05/LED | H05VV-F | 15+1 | A |



Scan the QR Code to access the web tab
 Specs, media and documentation in one click.

