

1846

Automatic cable reel, with 4Gx1.5 mm<sup>2</sup> cable

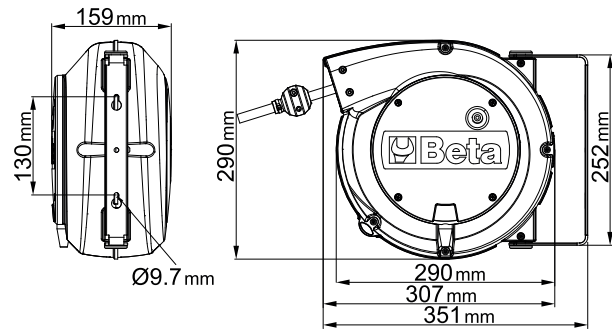
CE IP42

Features:

- 4Gx1.5 mm<sup>2</sup> cable
- Without thermal protection switch
- Cable length out of drum: 1 m
- Supplied without incoming cable
- Rack mechanism can be disabled to keep cable pulled
- Max. power (rolled up): 1400W (400V-20°C)
- Max. power (unrolled): 1900W (400V-20°C)
- Supplied with a 180° swivel bracket and an additional quick connection bracket



Art.	Art.	Cavo	L m	Scocca	kg
018460405	1846 10-H05	H05VV-F	10+1	A	4,4
018460407	1846 10-H07	H07RN-F	10+1	A	5,2
018460415	1846 15-H05	H05VV-F	15+1	A	5,4



Scan the QR Code to access the web tab

Specs, media and documentation in one click.

