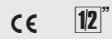


1927PAL
Reversible impact wrench, made from composite material


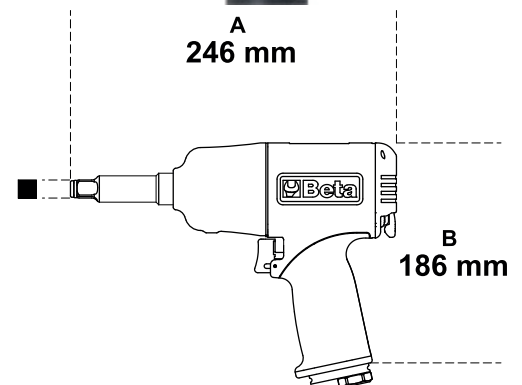
- Double hammer impulse device
- 2" long anvil
- Lightweight and well-balanced for enhanced ease of use
- Reversible lever
- Three power adjustable screwing positions
- Exhaust through handle
- Vibration-damping handle

Ultra-powerful

1750 Nm

Free speed	7,500 rpm/min
Max. torque	1,750 Nm
Bolt capacity	Cl 8.8 M24 ● 36 mm
Bolt capacity	Cl 12.9 M20 ● 30 mm
Air inlet	1/4" GAS
Operating pressure	6.2 bar
Internal hose size (Ø)	10 mm
Mean air consumption	290 l/min
Weight	2.2 kg

art.	kg
019270009	2,2


 A
 246 mm

 B
 186 mm