


**3027N 10**
**Hydraulic bench press with moving piston**

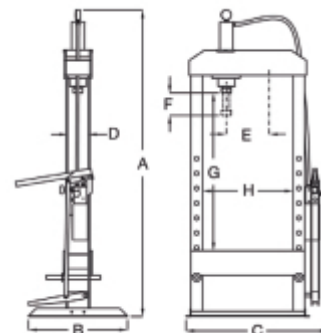
CE

**Features:**

- Maximum capacity: 10 t
- Manual 2-speed pump
- Moving piston
- Automatic piston return
- Set of V-shaped prisms included
- Chrome-plated stand

 100 kg

	art.	H mm				
030270101	3027N 10	1030	830	530	500	100



<b>3027N 10</b>	
A	1030
B	500
C	830
D	125
E	310
F	150
G	330
H	530