


3027N 20
Hydraulic press with moving piston

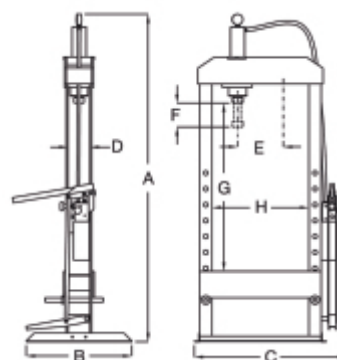
CE

Features:

- Maximum capacity: 20 t
- Manual 2-speed pump
- Moving piston
- Chrome-plated stand
- Automatic piston return
- Hydraulic overloading safety device
- Gauge
- Set of V-shaped prisms included

 130 kg

	art.	H mm				
030270102	3027N 20	1870	920	580	600	130



3027N 20	
A	1870
B	600
C	920
D	125
E	310
F	150
G	1000
H	580