


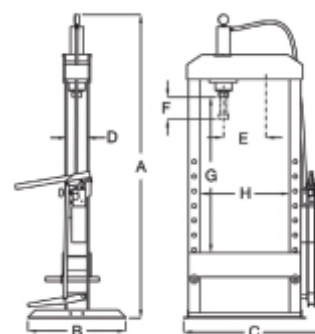
3027N 30
Hydraulic press with moving piston and hoist

CE

- Maximum capacity: 30 t
- Manual 2-speed pump
- Moving piston
- Chrome-plated stand
- Automatic piston return
- Hydraulic overloading safety device
- Gauge
- Steel rope hoist for lifting worktop

 230 kg


	art.	H				
030270103	3027N 30	2110	1140	700	600	230



3027N 30	
A	2110
B	600
C	1140
D	160
E	340
F	150
G	1150
H	700