



BETA 3027N 50 Hydraulic press with moving piston and hoist

Certifications and Standards



ROBUSTNESS

A thick, precision-welded frame with a powder-coated finish gives the press long-lasting strength and durability, ensuring unparalleled reliability over time

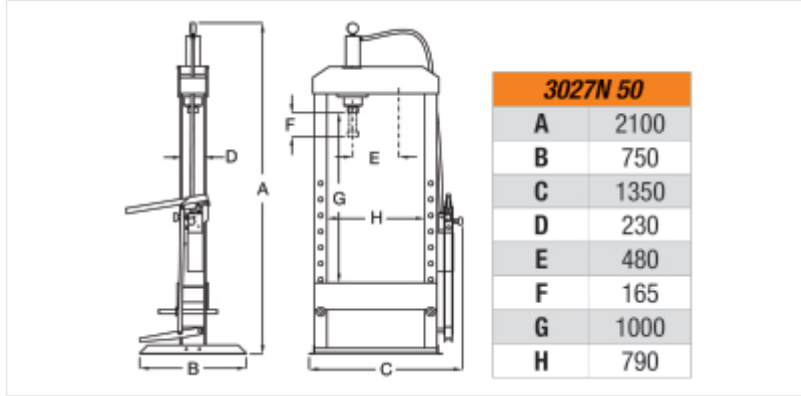
DURABILITY

The relentless pursuit of high quality components contributes to minimising wear and tear on mechanical parts, ensuring exceptional durability

VERSATILITY

Robust yet compact, these presses are the perfect solution for every user. Designed with space in mind, they offer the power and reliability you need without compromising your working environment.

Dimensions



CE

Certifications and Standards

Coded items

	Art.	H	L	L1	P	
030270105	3027N 50	2100	1350	790	750	350

Scan the QR Code to access the web tab

Specs, media and documentation in one click.

