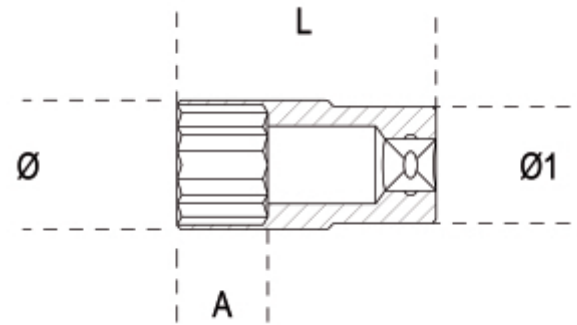

UNI/ISO 2725 DIN 3124

Art.	Art.	mm	mm	L mm	Ø1 mm	A mm	g
009000181	900L 4	4	6,5	50	12,0	5,0	23
009000182	900L 4,5	4,5	7,0	50	12,0	5,0	24
009000183	900L 5	5	7,5	50	12,0	5,0	24
009000184	900L 5,5	5,5	8,5	50	12,0	6,0	21
009000185	900L 6	6	9,5	50	12,0	7,0	25
009000186	900L 7	7	10,5	50	12,0	7,0	24
009000187	900L 8	8	12,0	50	12,0	8,0	24
009000188	900L 9	9	13,0	50	13,0	9,0	27
009000189	900L 10	10	14,0	50	14,0	10,0	36
009000190	900L 11	11	16,0	50	16,0	11,0	50
009000191	900L 12	12	17,5	50	17,5	13,0	52
009000192	900L 13	13	17,5	50	17,5	13,0	67
009000193	900L 14	14	20,0	50	20,0	13,0	81



Scan the QR Code to access the web tab
 Specs, media and documentation in one click.

