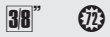


910/55

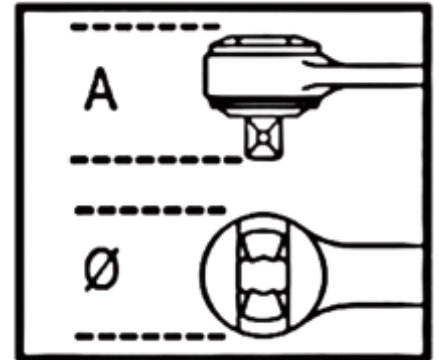
3/8" drive reversible ratchet 72 teeth



UNI/ISO 3315 DIN 3122

## Features:

- Phosphated square drive
- 72-tooth mechanism
- Take-up angle: 5°
- One-handed reversal
- Pressing on head with one's hand does not cause reversal and always allows free lever return
- Bi-material ergonomic handle, with convenient hanging hole
- Excellent mechanical characteristics

**Scan the QR Code to access the web tab**

Specs, media and documentation in one click.

