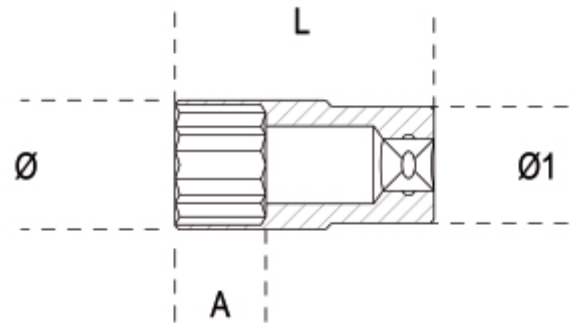
	Art.	Ø mm	Ø mm	L mm	Ø1 mm	A mm	g
009200626	920AL 10	10	14,7	77	21	12	54
009200627	920AL 12	12	17,8	77	21	12	60
009200628	920AL 13	13	19,0	77	22	12	61
009200629	920AL 14	14	20,3	77	22	15	63
009200630	920AL 15	15	21,5	77	22	15	68
009200631	920AL 16	16	22,8	77	22	15	79
009200632	920AL 17	17	24,0	77	23	15	80
009200633	920AL 18	18	25,0	77	24	18	86
009200634	920AL 19	19	26,5	77	25	18	92
009200635	920AL 21	21	29,0	77	27	18	109
009200636	920AL 22	22	30,0	77	28	21	121
009200637	920AL 23	23	31,5	77	29	21	124
009200638	920AL 24	24	32,8	77	30	24	158
009200639	920AL 27	27	36,5	77	33	27	191
009200640	920AL 30	30	40,0	77	36	30	264
009200641	920AL 32	32	42,8	77	38	33	291
009200642	920AL 36	36	48,0	77	41	34	305



Scan the QR Code to access the web tab
 Specs, media and documentation in one click.

