



## BETA 920A/AS hexagon hand sockets

### Certifications and Standards



### Features

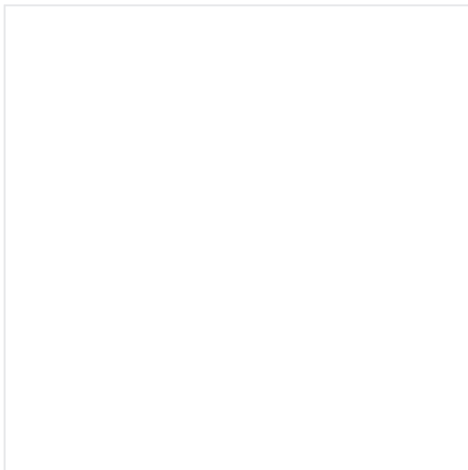
Impact sockets with 1/2" female drive and hexagon socket

### Resistance

Beta hand sockets are designed to guarantee high standards in terms of mechanical performance. The chrome-plated finish guarantees surface protection against corrosive substances.

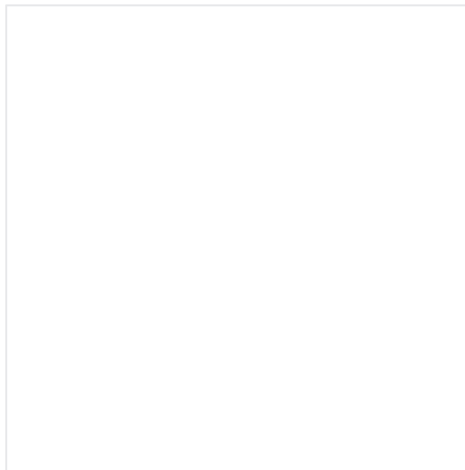
### Mouth

The hexagon sockets' hexagon sockets' mouth allows the spanner to work on nuts and bolts with hexagonal profile and inch sizes



### Quick identification

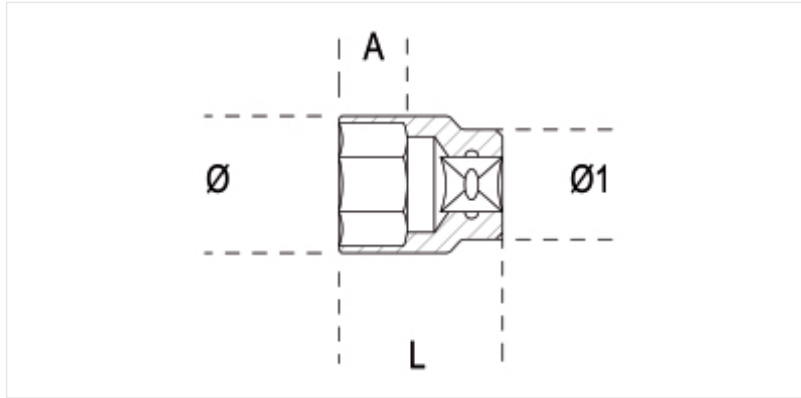
Quick identification thanks to clearly visible size marking on the socket



### Easy coupling

Easy ratchet-socket coupling via 1/2" female drive

## Dimensions



## Coded items

## Certifications and Standards

