



BETA 920/55 1/2" male square drive reversible ratchet



Certifications and Standards

  UNI/ISO 3315 DIN 3122

Features

The new Beta ratchet: the indispensable tool for the professional.

72-TOOTH MECHANISM

The 72 teeth guarantee a recovery angle of only 5° for quick action even in the tightest spaces.

NEW LEVER SHAPE

The new lever with cam, designed for maximum manoeuvrability, reduces the weight of the ratchet without compromising its robustness.

PRESSURE ON HEAD WITHOUT SQUARE REVERSAL

Hand pressure on the head does not reverse the square.

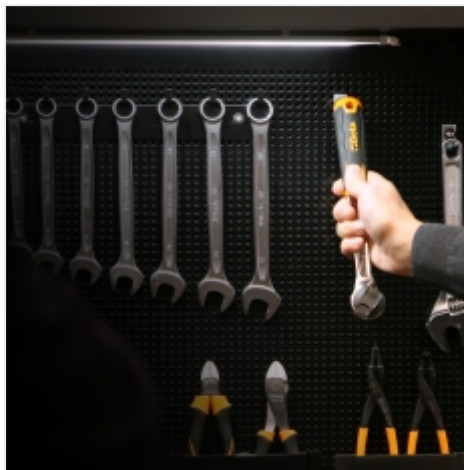
REVERSING DIRECTION OF ROTATION

One-handed reversal of direction of rotation.



ERGONOMIC BI-MATERIAL HANDLE

The new ergonomic bi-material handle ensures a secure grip, optimal comfort and better grip even in dirty environments.



APPENDIXABILITY

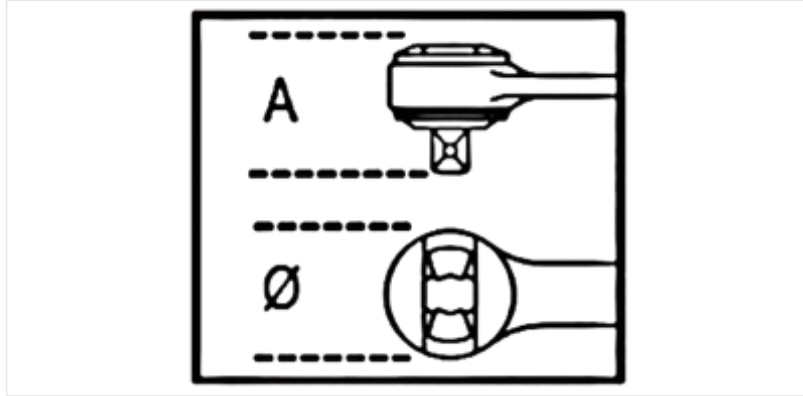
The hanging handle of the Beta ratchet allows better display and organisation, improving convenience at the workstation.



NEW LEVER SHAPE

Lightweight lever with cam, designed to offer maximum manoeuvrability for those working in confined spaces and demanding situations.


Dimensions



Certifications and Standards

UNI/ISO 3315 DIN 3122

Coded items

	Art.	L mm	Ø mm	A mm		 g
009201155	920/55	271	40	41	1/2	440

Scan the QR Code to access the web tab
Specs, media and documentation in one click.

