

920/55Q

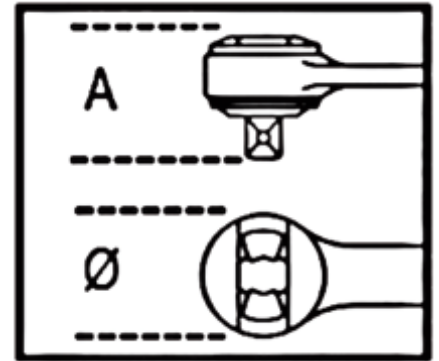
1/2" drive reversible ratchet, 48 teeth

12"



UNI/ISO 3315 DIN 3122

Take-up angle: 7,5°



	art.	L mm	Ø mm	A mm		 g
009200885	920/55Q	275	40	43	1/2	455

