



BETA 951GP

T-handle wrenches with one hexagon male end



Certifications and Standards

o

Features

The Beta wrench, designed for the Racing world, guarantees speed and precision tightening with minimum effort.

FAST TIGHTENING

With its fixed T-handle wrench design and ergonomic ends, this wrench allows you to make safe and fast tightenings.

RESISTANCE TO CORROSIVE SUBSTANCES

The chrome-plated wrench guarantees surface protection against corrosive substances.

WIDE CHOICE

Available in a wide range of sizes, from 2 mm to 10 mm, the Beta 951GP wrench is suitable for a variety of professional needs and can tackle a wide variety of mechanical applications



HEXAGONAL END

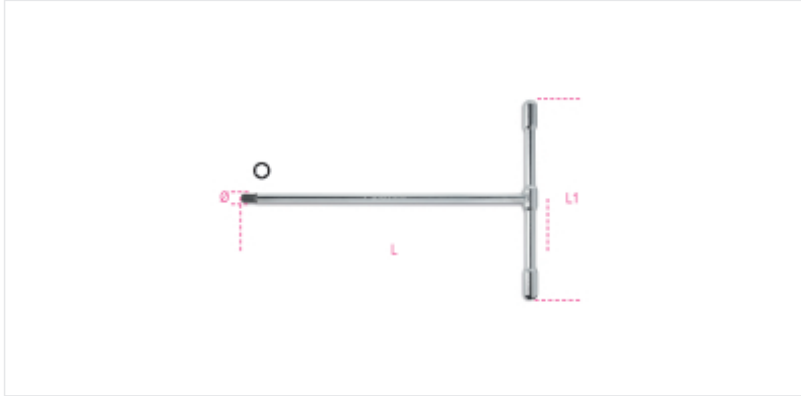
The hexagonal end ensures a precise fit with corresponding screws and bolts, for optimum torque transmission.



ERGONOMIC DESIGN


The wrench meets two fundamental requirements in the Racing sector: higher operating speeds and the application of high torques.

Dimensions



Certifications and Standards

Coded items

	Art.	mm	L mm	L1 mm	Ø mm
009511530	951GP 3	3	185	130	5
009511540	951GP 4	4	214	150	5
009511550	951GP 5	5	240	165	6
009511560	951GP 6	6	271	180	7
009511580	951GP 8	8	300	200	10
009511610	951GP 10	10	310	200	12

Scan the QR Code to access the web tab

Specs, media and documentation in one click.

