
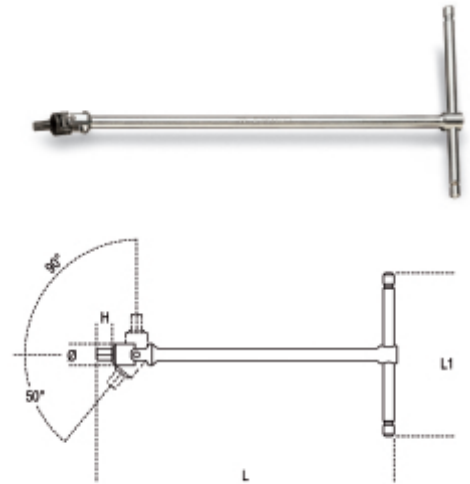




- Swivelling mechanism allows hexagon male end pre-positioning at an angle of up to 50°.
- Reduce tightening effort to 90° in fixed position during use.
- Hexagon bar can be stopped in required position throughout length; a safety catch prevents bar from coming out.

	Art.		L mm	L1 mm	Ø mm	H mm	Wt g
	953TX 20	T20	396	145	12,5	11	165
	953TX 25	T25	396	145	12,5	11	166
	953TX 27	T27	396	145	12,5	11	167
	953TX 30	T30	400	160	17	13	271
	953TX 40	T40	400	160	17	13	275
	953TX 45	T45	426	175	19	13	370
	953TX 50	T50	442	200	22	14	562
	953TX 55	T55	442	200	22	14	567



**Scan the QR Code to access the web tab**

Specs, media and documentation in one click.

