
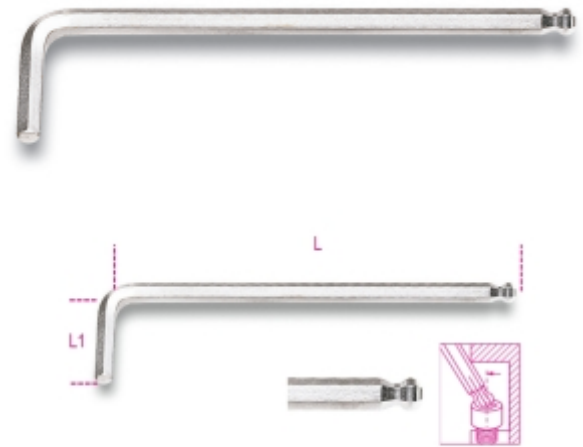




- Ball head makes it possible to work at an angle of up to 30° to screw axis.
- For tightening, use short side, if possible.

	Art.	mm	L mm	L1 mm	g
000960340	96BPC 1,5	1,5	79	13	1,6
000960341	96BPC 2	2	84	15	2,9
000960342	96BPC 2,5	2,5	89	17	4,7
000960343	96BPC 3	3	99	19	7,5
000960344	96BPC 4	4	108	24	13
000960345	96BPC 5	5	126	27	24
000960346	96BPC 6	6	148	31	40
000960353	96BPC 7	7	157	33	75,2
000960347	96BPC 8	8	168	35	81
000960348	96BPC 10	10	187	39	154,5
000960352	96BPC 12	12	220	55	175



Scan the QR Code to access the web tab
 Specs, media and documentation in one click.

