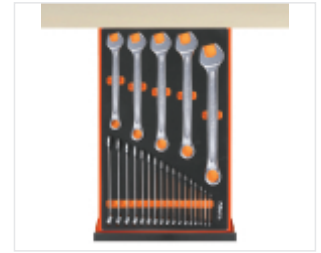




BETA C58BC-W1,6 2C Workbench, 1.6 m long, with wood worktop and 2 drawers



Features

The perfect ally for every demanding professional.

ROBUSTNESS

The thickness of the sheet metal and the worktop represent Beta quality and guarantee long-lasting use of the workbench.

UNMISTAKABLE DESIGN

The anthracite grey colour of the frame and the outline logos give this bench a unique and modern appearance.

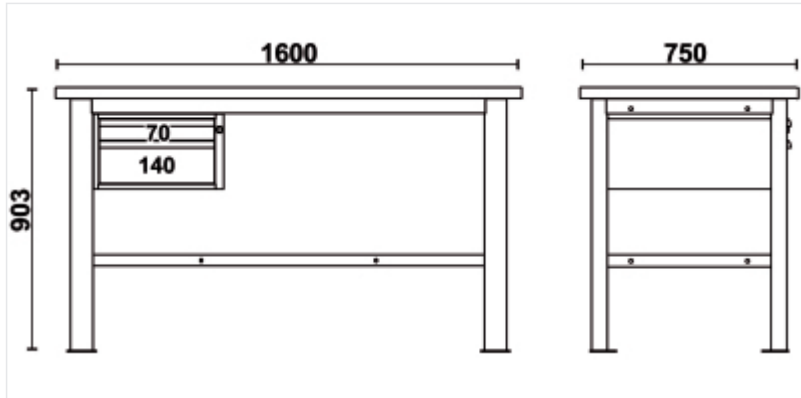
ORDER

The 367x588 mm Beta drawers are the perfect choice for keeping tools safe and tidy, as up to 4 EVA foam trays or ABS thermoformed trays can be inserted in each drawer:
1 drawer height 70 mm



GUARANTEED SAFETY

The central lock guarantees tool protection.

Dimensions



Coded items

	Art.		Color
058000611	C58BC-W1,6 2C/O		RAL 2011
058000613	C58BC-W1,6 2C/A		RAL 7016

Scan the QR Code to access the web tab
 Specs, media and documentation in one click.

