



BETA C58BC-W1,6

Simple workbench with wood worktop, 1.6 m long

Features

Robust and reliable, designed to meet all work requirements.

ROBUSTNESS

The thickness of the sheet metal and worktop testify to Beta's manufacturing excellence, ensuring the workbench's robustness and durability.

UNMISTAKABLE DESIGN

The C58BC-W1,6 workbench combines modern aesthetics and functionality, transforming the workspace into an efficient and elegant space.

CUSTOMISABLE

Configurable with a wide selection of roller cabinet modules and accessories, the workbench ensures efficient organisation of work tools.



ROBUSTNESS

1.6 m long, 75 cm deep, sturdy multilayer wood top with provision for mounting a vice 1599F/150 or 1599GI/150.



HIGH LOAD CAPACITY

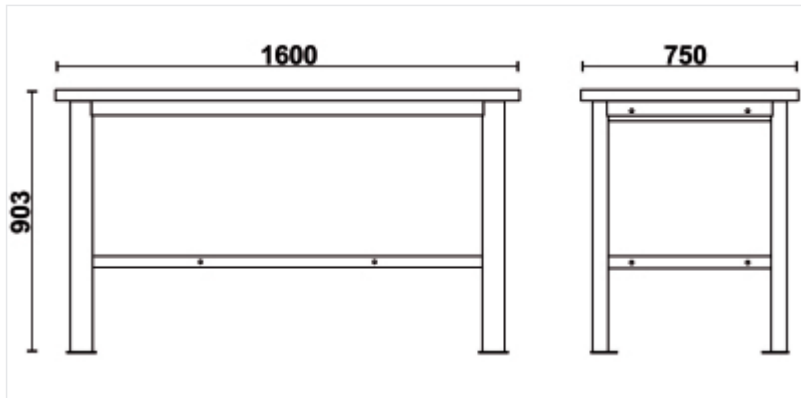
With a static load capacity of up to 1,000 kg, the C58BC-W1.6 bench guarantees reliability for heavy loads and intensive use.



FLOOR FIXING

Can be anchored to the floor to ensure greater operational stability of the bench.

Dimensions



Coded items

	Art.
058000601	C58BC-W1,6

Scan the QR Code to access the web tab
Specs, media and documentation in one click.

