



BETA C58BC-X2,1

Simple workbench with worktop made from stainless steel coated MDF, 2.1 m long

Features

The perfect ally for every demanding professional.

ROBUSTNESS

The thickness of the sheet metal and the worktop represent Beta quality and guarantee long-lasting use of the workbench.

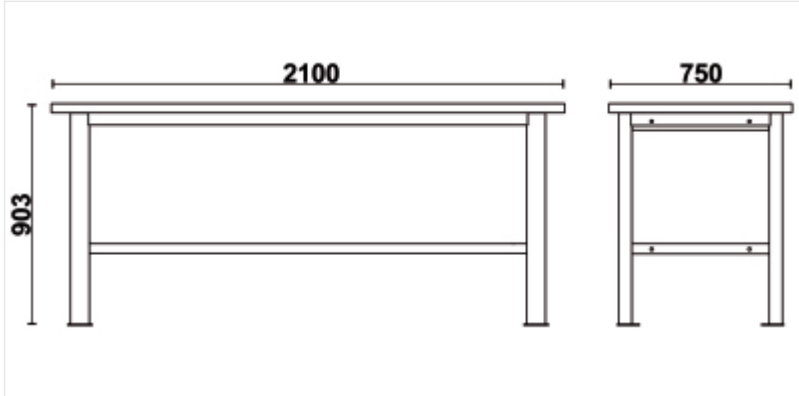
UNMISTAKABLE DESIGN

The anthracite grey colour of the frame and the outline logos give this bench a unique and modern appearance.

CUSTOMISABLE

The possibility of customising the workbench with a wide range of roller cabinets and accessories allows workbench tools to be kept tidy at all times.

Dimensions



Coded items

	Art.
058000626	C58BC-X2,1

Scan the QR Code to access the web tab
Specs, media and documentation in one click.

