



BETA RSC50 2.0 C8
Mobile roller cab with 8 drawers,
for workshop equipment
combination RSC50 2.0

Features

Mobile drawer unit: the indispensable ally in every workshop, designed to keep everything within easy reach.

MOBILITY

Equipped with 4 sturdy swivel castors, the drawer unit can be conveniently moved from one workstation to another.

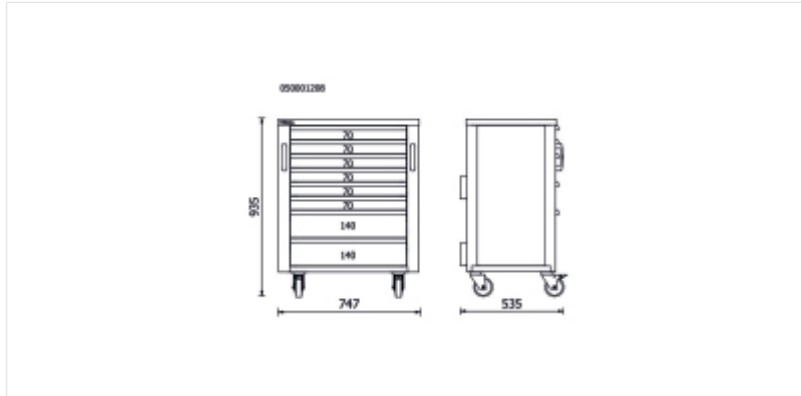
MULTIPLICITY OF DRAWERS

8 spacious drawers, perfect for accommodating a wide variety of thermoformed products.

ATTRACTIVE DESIGN

Thanks to the meticulous care in the selection of materials and the meticulous attention to detail, this drawer unit stands out as a unique item.

Dimensions



Coded items

	Art.
050001208	RSC50 2.0 C8

Scan the QR Code to access the web tab
Specs, media and documentation in one click.

