



BETA RSC50 2.0 MA
Fixed two-door module, for
workshop equipment
combination RSC50 2.0

Features

Module manufactured with high quality materials and cared for in every detail, to offer a unique and elegant product.

FEATURES

Functional and tidy workspace thanks to a large and capacious 615x435x740 mm interior space, perfect for storing even the largest items.

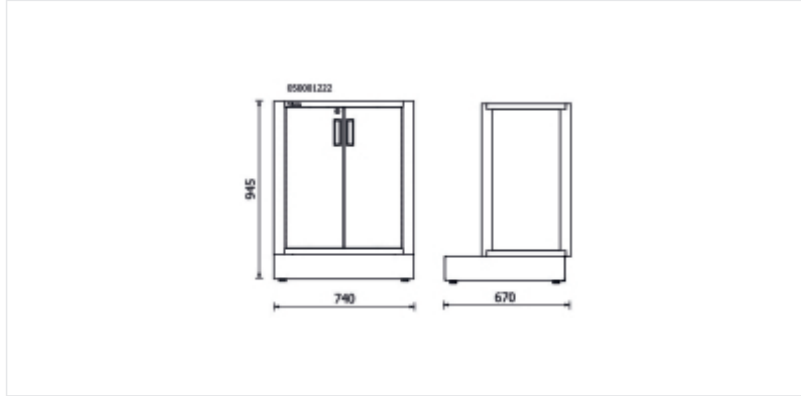
VERSATILITY

The height-adjustable internal shelf allows the best possible organisation of space, adapting to all requirements.

ATTRACTIVE DESIGN

The scrupulous selection of materials and meticulous attention to detail make this module an example of craftsmanship excellence.

Dimensions



Coded items

	Art.
050001262	RSC50 2.0 MA

Scan the QR Code to access the web tab
Specs, media and documentation in one click.

