



BETA RSC50 2.0 T3
**3-tier tool trolley, for workshop
equipment combination RSC50
2.0**

Features

Sturdy trolley, perfect for everyday use in the workshop.

ROBUSTNESS

The sturdy and durable sheet metal structure allows items to be transported in total safety.

MOBILITY

Thanks to its 4 360° swivel castors, the trolley can be manoeuvred easily in any direction.

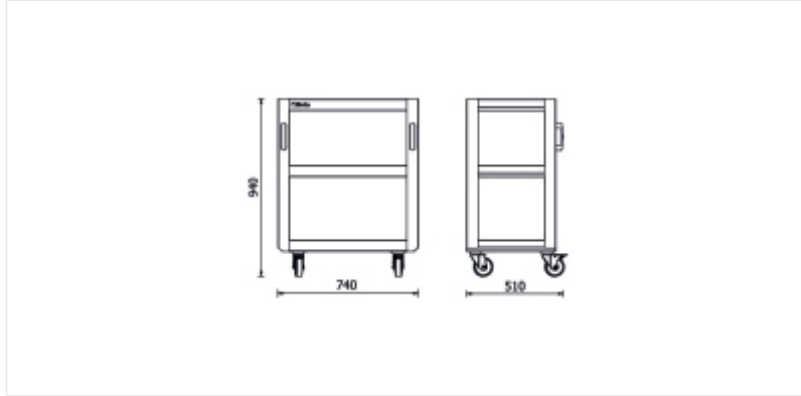
STRENGTH

The trolley is designed to be strong enough to support a weight of up to 200 kg without deforming or bending.

VERSATILITY

The compact design is ideal for enhancing even the tightest spaces.

Dimensions



Coded items

	Art.
050001253	RSC50 2.0 T3

Scan the QR Code to access the web tab
Specs, media and documentation in one click.

